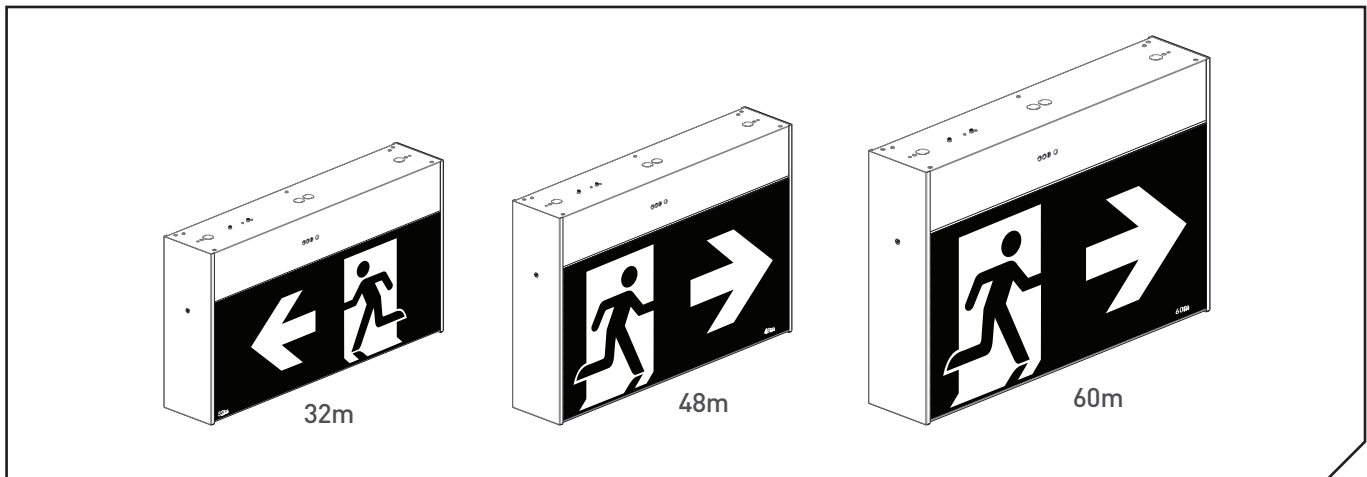


Jumbo Exit Sign



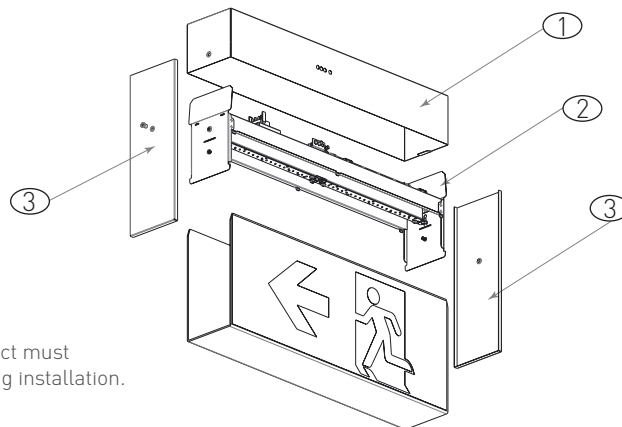
Ceiling/Rod Installation

1. Mount the box to ceiling/rod and terminate power supply.
2. Insert geartray into retaining catch at one end. Pivot upwards to engage auto-connect. Fit screw.
3. Fit one end panel, then diffuser and 2nd panel.

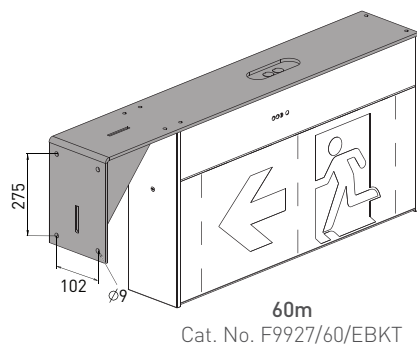
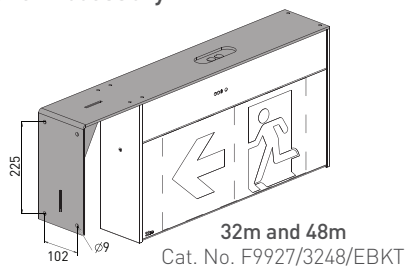
Removal follows the reverse procedure. Press test switch for the local test when the installation is complete.

Supply Voltage: 230-240 V a.c. 50 Hz

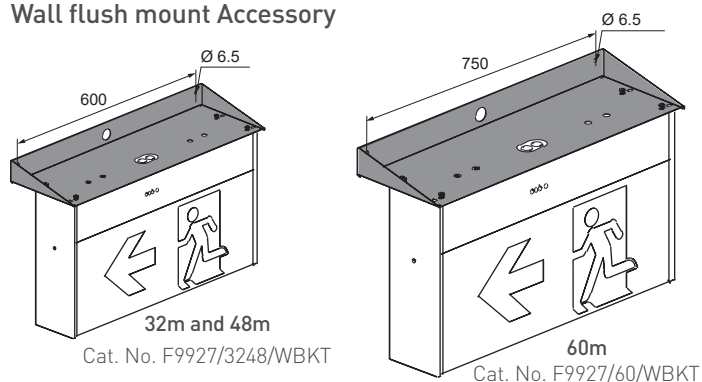
Considerations: This product should not be cleaned with a hose. This product must be securely attached to a suitable structural member during installation.



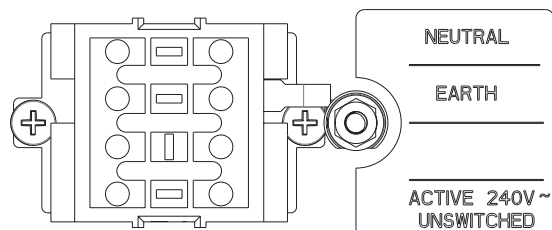
Wall Bracket Accessory



Wall flush mount Accessory



Mains supply - Connection



- NOTE:** 1. This sign is configured for maintained operation only.
2. For DALI models, connect the two DALI wires to the DALI terminals.

NOTE: All dimensions are in mm.

06/2021

LE13143AA

