

# LED Goldstar™ - D63



A complete range of non-maintained Emergency luminaires for commercial applications.

## FEATURES

- Suitable for all emergency lighting applications.
- Energy efficient: less than 1W energy consumption in stand by mode.
- 3 trim sizes available: Small, Medium and Large ring
- One high Brightness LED.
- T-sense™ temperature sensing technology for Li-ion battery.
- Easy to install spring clips.
- Available in Black or White finish.
- Standalone or MasterMinder emergency monitored.
- Manufactured in Australia.



No Trim

Small ring



Medium Ring

## APPLICATIONS

- Commercial offices
- Shopping centre
- Facilities
- Public Building applications

## TECHNICAL INFORMATION

- Operating Mode: Maintained
- Nominal Input Voltage: 230-240 V a.c. 50 Hz
- Operating Voltage: 2 W
- Battery: Li-ion 6.4 V 3.0 Ah
- Light Source Life (LSL): 100,000 hours
- IP Rating: IP20
- Operating temperature: 10°C to 40°C
- Body Construction: Polycarbonate
- Compliance: AS/NZS 2293, AS/NZS 60598

SPU		
Cat. No.	Description	Classification C0/C90
F9994/LI	LED GOLDSTAR FLEX AND PLUG - WHITE - LITHIUM	D63
F9994/BL/LI	LED GOLDSTAR FLEX AND PLUG - BLACK - LITHIUM	D63

MasterMinder		
Cat. No.	Description	Classification C0/C90
FX9994/LI	LED GOLDSTAR FLEX AND PLUG - WHITE - LITHIUM	D63
FX9994/BL/LI	LED GOLDSTAR FLEX AND PLUG - BLACK - LITHIUM	D63

## SPACING TABLE

Maximum spacings between luminaires for 0.2 lux (Australia)

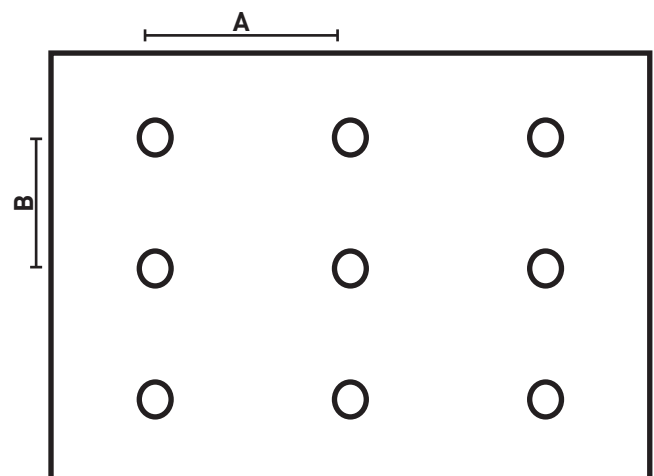
Mounting Height (m)	2.4	2.7	3.0	3.3	3.6	4.0
A	13.2	14.8	16.5	18.1	19.8	22.0
B	13.2	14.8	16.5	18.1	19.8	22.0

As per AS/NZS 2293:2018

Maximum spacings between luminaires for 1 lux (New Zealand)

Mounting Height (m)	2.4	2.7	3.0	3.3	3.6	4.0
A	11.5	11.8	12.1	12.3	12.5	12.7
B	11.5	11.8	12.1	12.3	12.5	12.7

As per AS/NZS 2293:2018

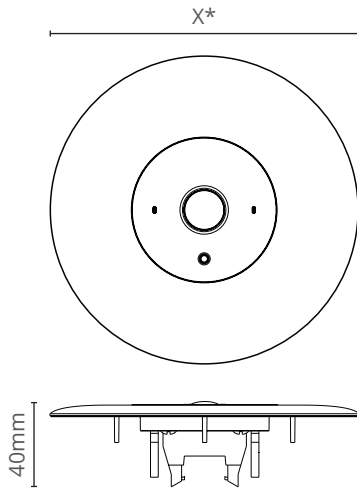


# LED Goldstar™ - D63



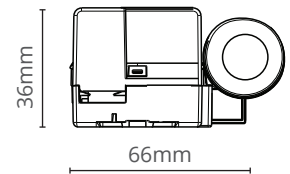
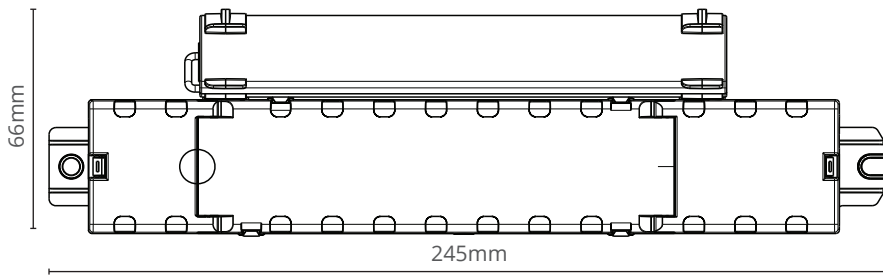
## DIMENSIONS

### Fascia



Type	Diameter (X*)
No trim	60 mm
Small Ring	80 mm
Medium Ring	120 mm
Large Ring	150 mm

### SPU and MasterMinder Power Pack



More info available at:  
[www.famco.com.au](http://www.famco.com.au)