

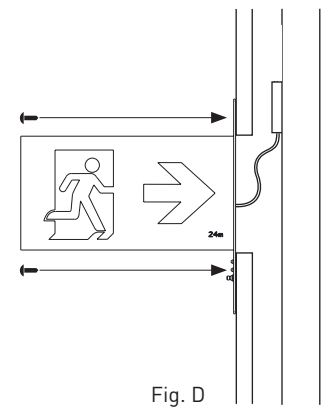
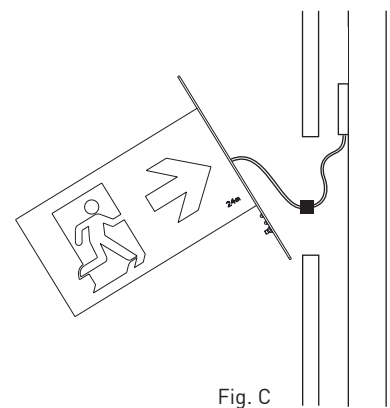
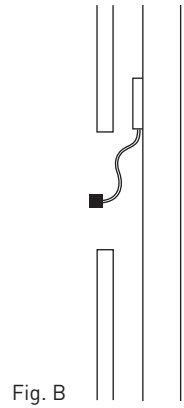
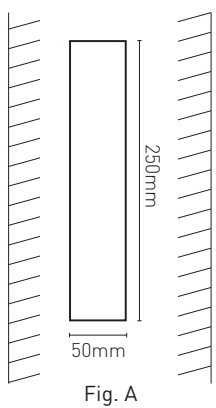
Specifications:

Supply voltage	230-240V a.c. 50Hz
Power input	3W

NOTE: This sign is configured for maintained operation only.

1. Make a cut out in the wall. (Fig.A)
2. Connect the battery to the pack then connect the flex and plug to mains. For DALI models, connect the two DALI wires to the DALI terminals.
3. Place pack inside wall cavity and secure to the strut. (Fig.B)
4. Connect the pack to the exit sign plate. (max length from unit to pack shall not exceed 1.5m). (Fig C)
5. Screw unit in position (using supplied screws). (Fig.D)

Note : Designed for plasterboard, wood & metal surfaces.



Surfaced mount versions

1. Feed the mains cable through the base and fix the base of the surface mount box to the wall .
2. Connect the mains cable to the terminal block. For DALI models, connect the two DALI wires to the DALI terminals.
3. Connect the battery to the pack.
4. Connect the pack to the exit sign plate.
5. Fix exit sign plate to box cover.
6. Fix the cover to the base and lock into position with screws provided.

