

# Eco Rapid LED Exit

**ECO RAPID**

A general purpose exit sign designed for wall or ceiling installations

## FEATURES

- Rapid slide bracket
- Drop in decals
- 50,000 hour LED life
- Large terminal block for ease of connection
- Designed in Australia

## APPLICATIONS

- Commercial office
- Educational facilities
- Hospitality

## TECHNICAL INFORMATION

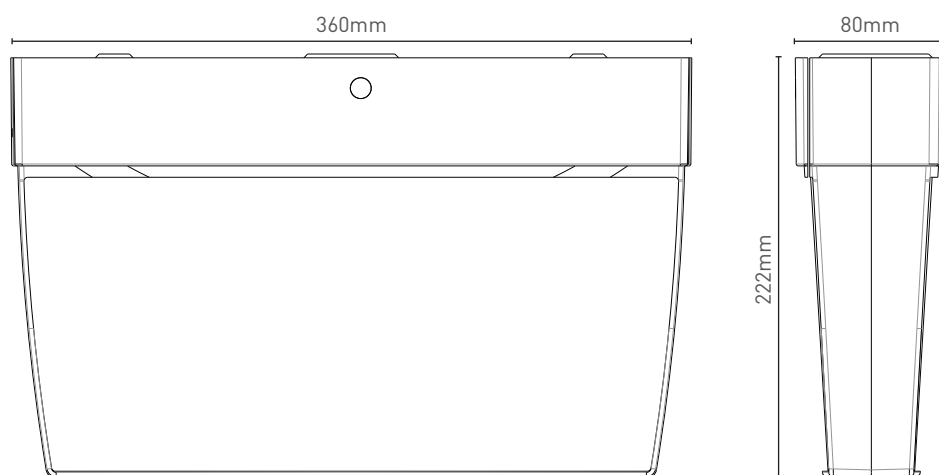
- Mode of operation: Maintained
- Supply voltage: 240V a.c. +/- 6% 50Hz
- Power consumption: 3W
- Battery: NiCd 4x1 AA cells linear – 4.8V 0.9Ah
- Operating temperature: 10° to 40°
- IP rating: IP20
- Body construction: Polycarbonate
- Diffuser construction: Polycarbonate
- Compliance: AS/NZS 2293 AS/NZS 60598



SPU	
Cat No	Description
F9970	ECO Rapid LED Exit white

Classification	Maximum spacing between luminaires Mounting Height (Metres)				
	Metres	2.7	3	3.3	3.6
<b>D3.2</b>	6.6	6.5	6.4	6.2	5.8

## DIMENSIONS



More info available at:  
[www.famco.com.au](http://www.famco.com.au)

**FAMCO LIGHTING PTY LTD**

T: (03) 9935 7300 F: (03) 9935 7301 E: [info@famco.com.au](mailto:info@famco.com.au) W: [www.famco.com.au](http://www.famco.com.au)

© 2016 Famco Lighting Pty Ltd All rights reserved. E&OE. Subject to change without notice, to allow progress in design. This document and the information it contains is the property and copyright of Famco Lighting Pty Ltd and must not be used, copied, transmitted or reproduced without our written permission.

